

GC-104130-SS Stainless Steel Paddle Latch

Features

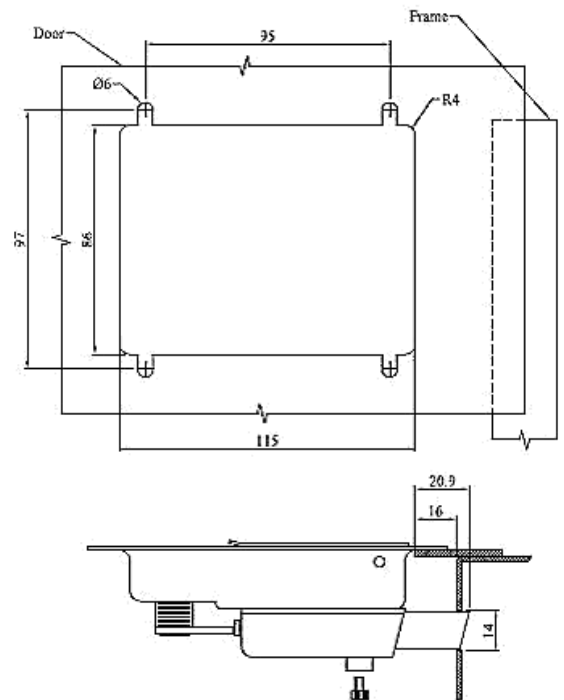
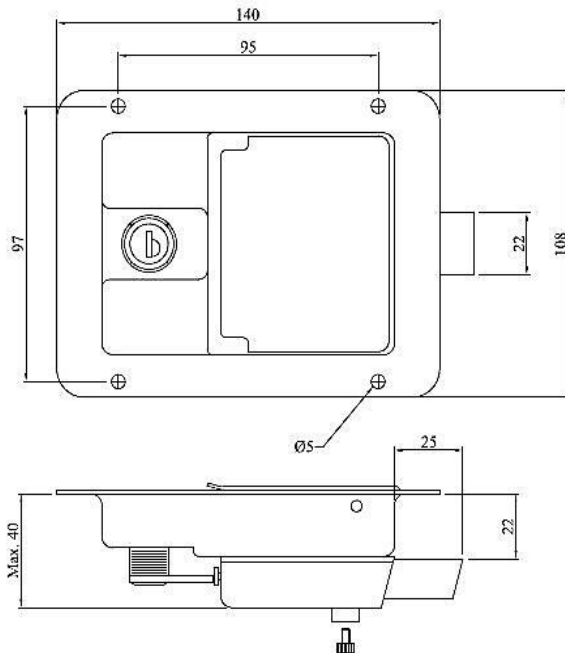
- Single hole installation
- Pull paddle to release latch
- Lockable
- Rounded edges with mirror finish on case / flap
- Tapped hole for inside release handle (sold separately)

Material

- Body: Stainless steel 304, polished
- Slam bolt: Cast steel

Notes

- M5 fixing screw (not included)
- Gasket included



Part No.

GC-104130-SS